

# Model 793 Premium PiezoFET® accelerometer



### Dynamic

Sensitivity, ±5%, 25°C.....	100 mV/g
Acceleration range .....	80 g peak
Amplitude nonlinearity.....	1%
Frequency response:	
±5%.....	1.5 - 5,000 Hz
±10%.....	1.0 - 7,000 Hz
±3 dB .....	0.5 - 15,000 Hz
Resonance frequency.....	25 kHz
Transverse sensitivity, max.....	5% of axial
Temperature response:	
-50°C.....	-10%
+120°C.....	+5%

### Electrical

Power requirement:	voltage source.....	18 - 30 VDC
	current regulating diode .....	2 - 10 mA
Electrical noise, equiv. g:		
Broadband	2.5 Hz to 25 kHz.....	600 µg
Spectral	10 Hz.....	8 µg/√Hz
	100 Hz.....	5 µg/√Hz
	1000 Hz.....	5 µg/√Hz
Output impedance, max .....		100 Ω
Bias output voltage.....		12 VDC
Grounding.....		case isolated, internally shielded

### Environmental

Temperature range .....	-50 to 120°C
Vibration limit.....	500 g peak
Shock limit .....	5,000 g
Sealing .....	Hermetic
Base strain sensitivity .....	0.0005 g/µstrain

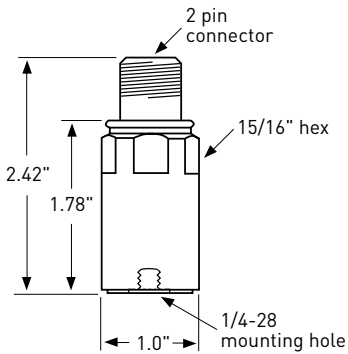
### Physical

Sensing element design.....	PZT ceramic / compression
Weight .....	112 grams
Case material .....	316L stainless steel
Mounting .....	1/4 - 28 tapped hole
Output connector.....	2 pin, MIL-C-5015 style
Mating connector .....	R6 type
Recommended cable .....	J10 / J9T2A

Connector Pin	Function	Cable conductor color
Shell	ground	shield
A	power/ signal	white
B	common	black

Accessories supplied: SF6 mounting stud (International customers specify mounting requirements); calibration data (level 3)  
Options: Intrinsic safety certifications

- Features
- Corrosion resistant
  - Ground isolated
  - Rugged design
  - Hermetic seal
  - ESD protection
  - Reverse wiring protection



ALTHEN reserves the right to vary the foregoing details without prior notice



**ALTHEN GmbH Mess- und Sensortechnik**  
Frankfurter Strasse 150 - 152 phone: +49 (0)6195 70060  
65779 Kelkheim / Germany fax: +49 (0)6195 700666

sales@althensensors.com  
www.althensensors.com