

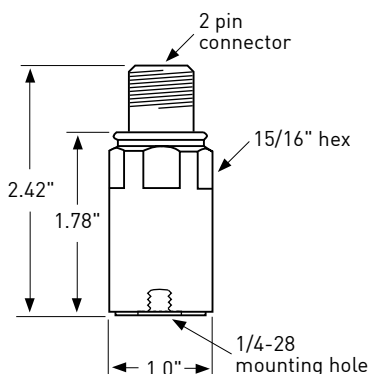
Model 793V Series Piezoelectric velocity transducers



Models	793V	793V-5	Units
Dynamic			
Sensitivity, ±10%, 25°C.....	100	500	mV/in/sec
Velocity range.....	50	10	in/sec peak
Amplitude nonlinearity.....	2.5%	5%	
Frequency response:			
±10%.....	3.0 - 3,500	8.0 - 3,500	Hz
±3 dB.....	2.5 - 7,000	5.0 - 7,000	Hz
Resonance frequency, mounted, nom.....	15	15	kHz
Transverse sensitivity, max.....	5% of axial	5% of axial	
Temperature response			
-50°C.....	-5%	-5%	
+80°C.....	+3%	+3%	
+120°C.....	-5%	-5%	
Electrical			
Power requirement: voltage source.....	18 - 30	18 - 30	VDC
current regulating diode ¹	2 - 10	2 - 10	mA
Electrical noise, equiv. in/sec, nominal:			
Broadband 2.5 Hz to 25 kHz.....	100	40	µin/sec
Spectral			
10 Hz.....	10	4.0	µin/sec/√Hz
100 Hz.....	1.0	0.4	µin/sec/√Hz
1000 Hz.....	0.2	0.05	µin/sec/√Hz
Absolute phase shift, nom. the greater of:.....	tan ⁻¹ 2/f or 2°	tan ⁻¹ 5/f or 2°	
Output impedance, nominal 4mA supply, the greater of:.....	5,000 or 200	25,000 or 200	/f Ω
Bias output voltage, nominal.....	10	10	VDC
Grounding.....	case isolated, internally shielded	case isolated, internally shielded	
Environmental			
Temperature range.....	-50 to 120°C	-50 to 120°C	
Vibration limit.....	250	250	g peak
Shock limit.....	2,500	2,500	g peak
Electromagnetic sensitivity, equiv. in/sec.....	25	25	µin/sec/gauss
Sealing.....	hermetic	hermetic	
Base strain sensitivity.....	0.0005	0.0005	in/sec/µstrain
Physical			
Weight.....	145 grams	145 grams	
Case material.....	316L stainless steel	316L stainless steel	
Mounting.....	1/4 - 28 tapped hole	1/4 - 28 tapped hole	
Output connector.....	MIL-C-5015, 2-pin style	MIL-C-5015, 2-pin style	
Connections			
Pin A.....	signal, power	signal, power	
Pin B.....	common	common	
Mating connector.....	R6 (Amphenol 97-3106A-10SL-4S)		
Recommended cable.....	J9T2		

Features:

- Intrinsic safety certified (options for Model 793V, consult factory)
- Industrial ruggedness
- Eliminates distortion caused by high frequency signals
- Corrosion-resistant
- Internally integrated to velocity
- Ultra low-noise electronics for clear signals at very low vibration levels
- Reverse wiring protection



See notes on the back.

ALTHEN reserves the right to vary the foregoing details without prior notice



ALTHEN GmbH Mess- und Sensortechnik

Frankfurter Strasse 150 - 152
65779 Kelkheim / Germany

phone: +49 (0)6195 70060
fax: +49 (0)6195 700666

sales@althensensors.com
www.althensensors.com